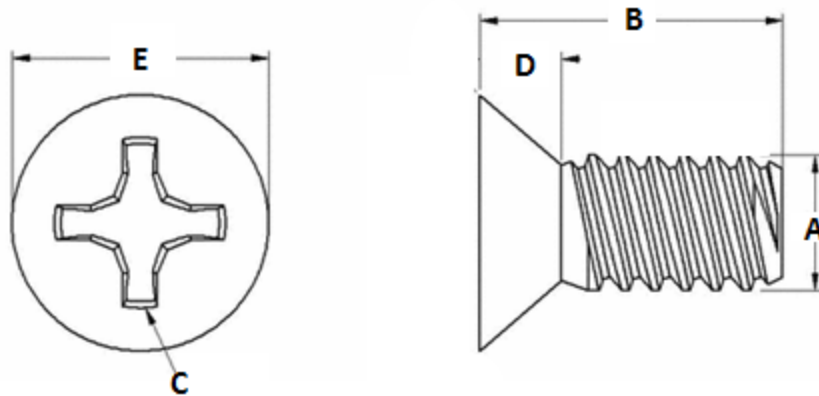


# ~~KEEP-FILL~~<sup>®</sup>

*Inventory Management Solutions*

## PHILLIPS FLAT HEAD MACHINE SCREW, NO STICK STAINLESS



PART NUMBER	A THREAD SIZE	B TOTAL LENGTH	C DRIVE SIZE	D HEAD HEIGHT	E HEAD DIAMETER
UST263162	6-32	1/4	#2	0.083	0.262
UST263163	6-32	3/8	#2	0.083	0.262
UST263164	6-32	1/2	#2	0.083	0.262
UST263165	6-32	3/4	#2	0.083	0.262
UST263166	8-32	1/4	#2	0.1	0.312
UST263167	8-32	3/8	#2	0.1	0.312
UST263168	8-32	1/2	#2	0.1	0.312
UST263169	8-32	3/4	#2	0.1	0.312
UST263170	10-32	3/8	#2	0.116	0.362
UST263171	10-32	1/2	#2	0.116	0.362
UST263172	10-32	3/4	#2	0.116	0.362
UST263173	10-32	1	#2	0.116	0.362
UST263174	1/4-20	3/8	#3	0.153	0.477
UST263175	1/4-20	1/2	#3	0.153	0.477
UST263176	1/4-20	3/4	#3	0.153	0.477
UST263177	1/4-20	1	#3	0.153	0.477
UST263178	1/4-20	1 1/2	#3	0.153	0.477